

Playtower combination

Device line Kantholz

Article 34006

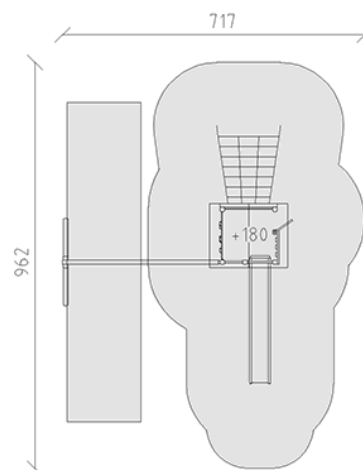
Playtower made of multi-glued Swiss pine, pressure impregnated, for platform height 180 cm, with gable roof, wave slide made of polyester red/yellow, climbing wall, fireman's pole made of stainless steel, climbing net ascent, swing section, suspension device made of stainless steel for one seat, incl. steel foot brackets for minimum installation depth 50 c



CHF 10'345.-

(excl. VAT)

	Age group	3+
	Device dimensions	612 x 547 x 380 cm
	Space required	962 x 717 cm
	min. impact surface	51.4 m ²
	Fall height	180 cm
	Heaviest element	275 kg
	Biggest element	150 x 185 x 382 cm
	Foundations	11
	Concrete	1.6 m ³
	Assembly time	3 h
	Installers	2



berli
Center of play