

Balancing boat

Device line Robinie

Article 43980

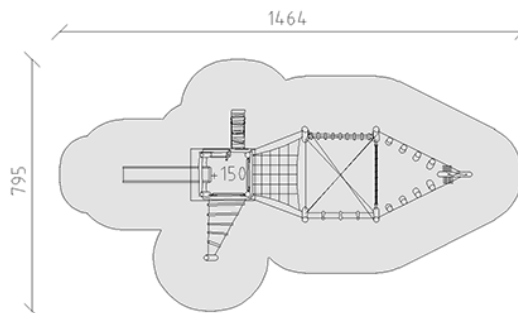
Balancing boat made of chemically untreated robinia heartwood sanded, platform height 150 cm, with pent roof, rung ladder, sloping climb, twisted ladder, red/antracite polyester slide and balancing obstacle course.



CHF 23'320.-

(excl. VAT)

	Age group	3+
	Device dimensions	1103 x 480 x 383 cm
	Space required	1464 x 795 cm
	min. impact surface	74.4 m ²
	Fall height	150 cm
	Heaviest element	540 kg
	Biggest element	217 x 170 x 463 cm
	Foundations	22
	Concrete	3.3 m ³
	Assembly time	7 h
	Installers	3



buerli
Center of play