

Play tower combination

Device line Rundholz

Article 28705

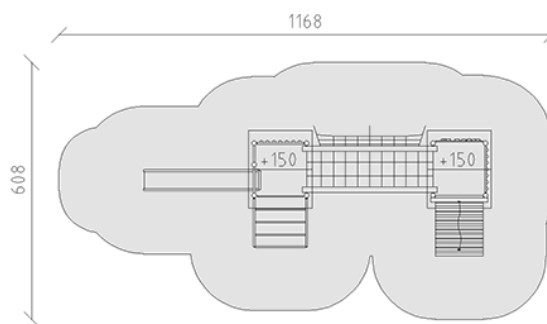
Play tower combination made of multi-glued Swiss pine, pressure-treated, platform heights 150 cm, with pitched roofs, inclined access, climbing wall, net bridge, metal climbing ladder and slide made of polyester grey/anthracite, incl. steel foot brackets for minimum installation depth of 50 cm.



CHF 17'975.-

(excl. VAT)

	Age group	3+
	Device dimensions	825 x 297 x 350 cm
	Space required	1168 x 608 cm
	min. impact surface	55.8 m ²
	Fall height	150 cm
	Heaviest element	290 kg
	Biggest element	350 x 190 x 155 cm
	Assembly time	4.5 h
	Installers	2



buerli
Center of play