

# Play tower combination Eco/aluminium

Device line Aluminium


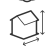



Article 55150

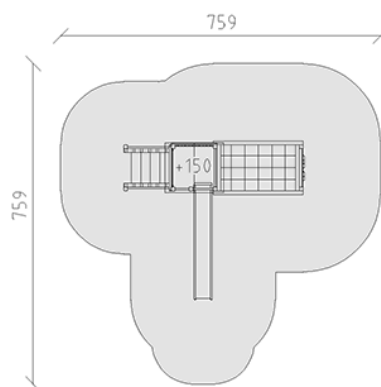
Play tower combination Eco/aluminium made of multi-glued Swiss pine, pressure-impregnated, posts made of stove-enamelled aluminium, colour anthracite, platform height 150 cm, with saddle roof, slide made of polyester red/yellow, combination ladder, combi gymnasts extension with climbing wall, rope ladder, net wall and net canopy, minimum installation depth 50 cm.



**CHF 11'700.-**

(excl. VAT)

 Age group	3+
 Device dimensions	429 x 376 x 340 cm
 Space required	759 x 759 cm
 min. impact surface	40.6 m <sup>2</sup>
 Fall height	200 cm



**buerli**  
Center of play