

Swing frame combination

Device line Stahl

Article 61600

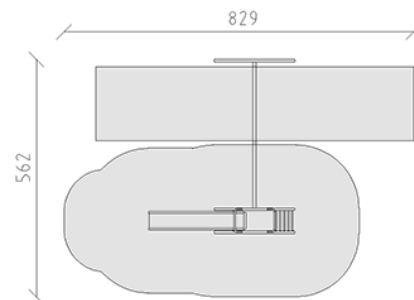
Swing frame combination made of hot-dip galvanised tubular steel and additionally stove-enamelled in red, stainless steel suspension devices for one seat, with laterally attached slide made of blue polyester, minimum installation depth 50 cm.



CHF 4'140.-

(excl. VAT)

	Age group	3+
	Device dimensions	412 x 350 x 234 cm
	Space required	829 x 562 cm
	min. impact surface	35.3 m ²
	Fall height	125 cm
	Heaviest element	75 kg
	Biggest element	280 x 60 x 230 cm
	Foundations	6
	Concrete	1.1 m ³
	Assembly time	4 h
	Installers	2



buerli
Center of play