

Sweden tower

Device line Kantholz

Article 35410

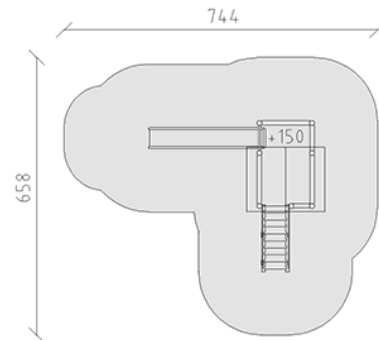
Sweden tower made of multi-glued Swiss pine, pressure impregnated, platform height 150 cm, with gable roof, balcony, slide made of polyester red/yellow, access steps, ear bench, incl. steel foot brackets for minimum installation depth 50 cm.



CHF 9'065.-

(excl. VAT)

	Age group	3+
	Device dimensions	418 x 358 x 351 cm
	Space required	744 x 658 cm
	min. impact surface	34.6 m ²
	Fall height	150 cm
	Heaviest element	310 kg
	Biggest element	210 x 180 x 352 cm
	Foundations	9
	Concrete	0.85 m ³
	Assembly time	3 h
	Installers	2



buerli
Center of play

+41 41 925 14 00

info@buerli.swiss