

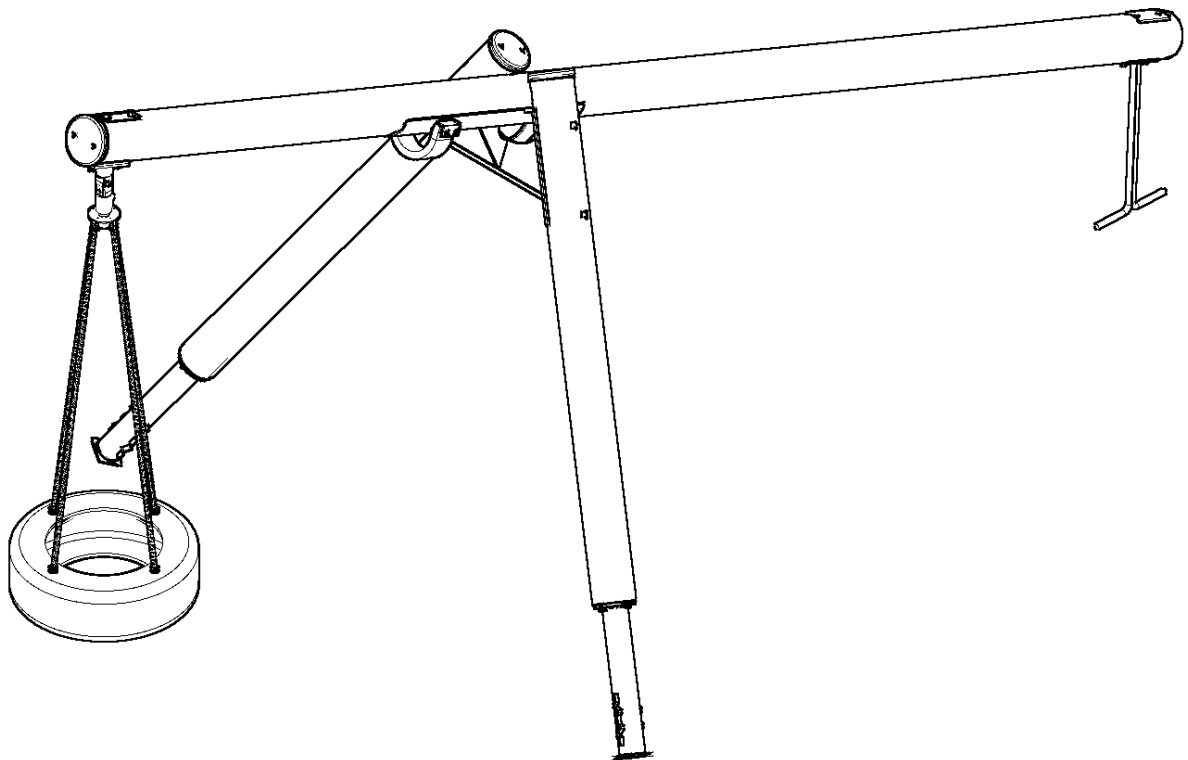
# bürli

Spiel- und Sportgeräte AG  
CH-6212 St. Erhard LU  
Tel. 041/925 14 00  
[www.buerliag.com](http://www.buerliag.com)

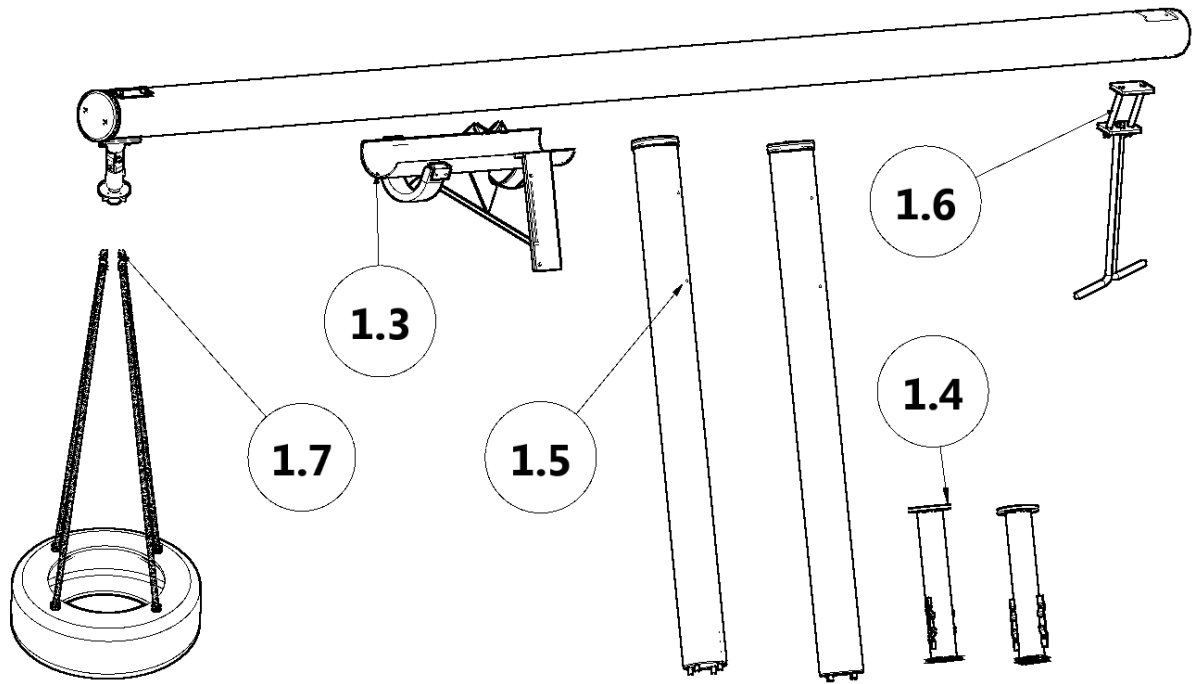
## 20000-MA

---

### 1.1

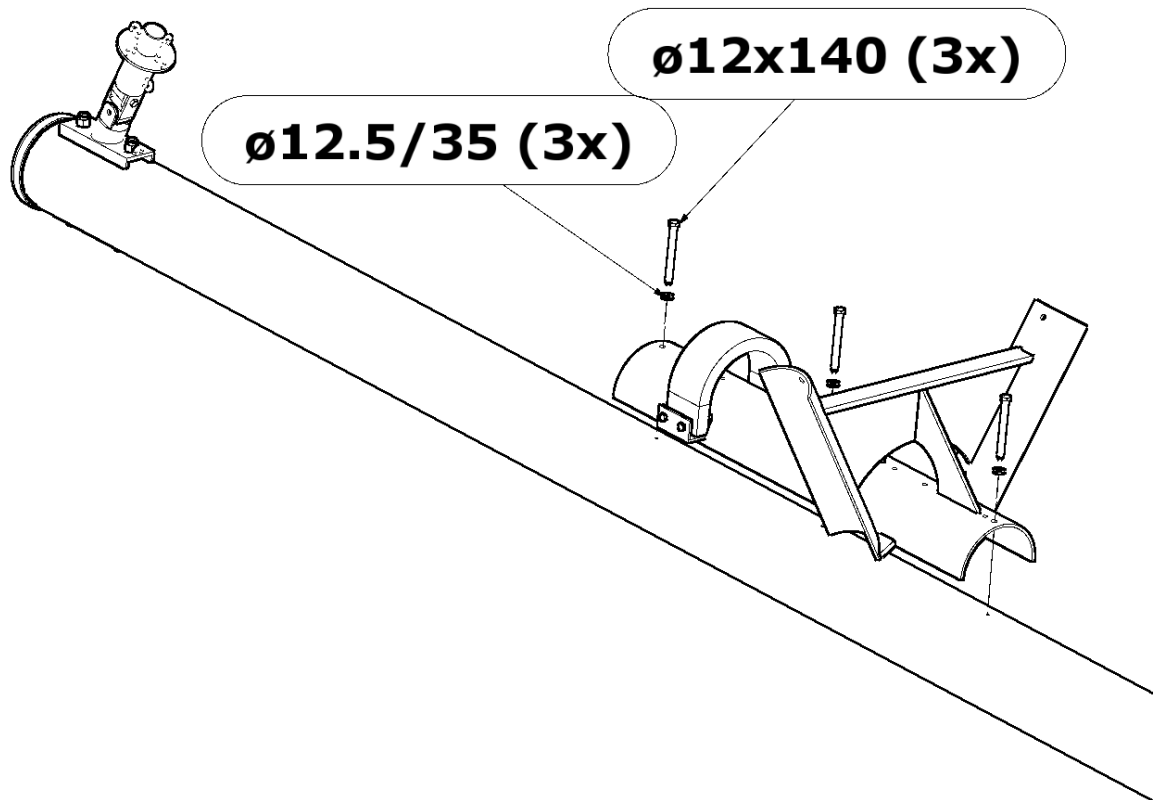


# 1.2



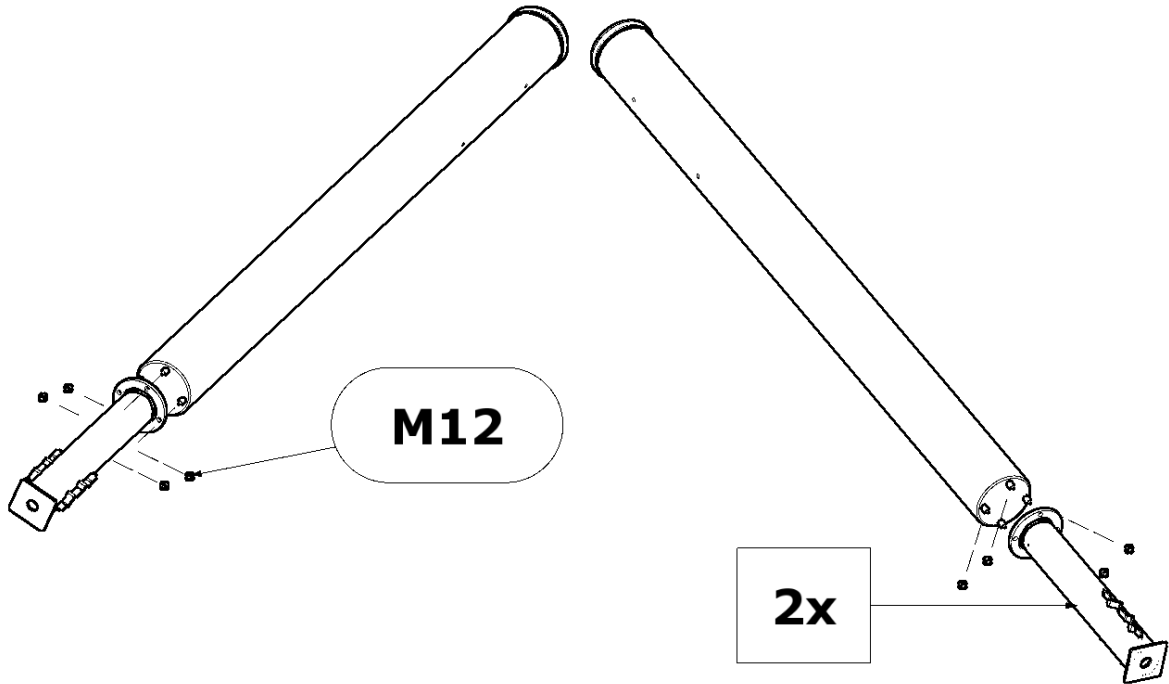
# 1.3

$M_A = 100 \text{ Nm}$



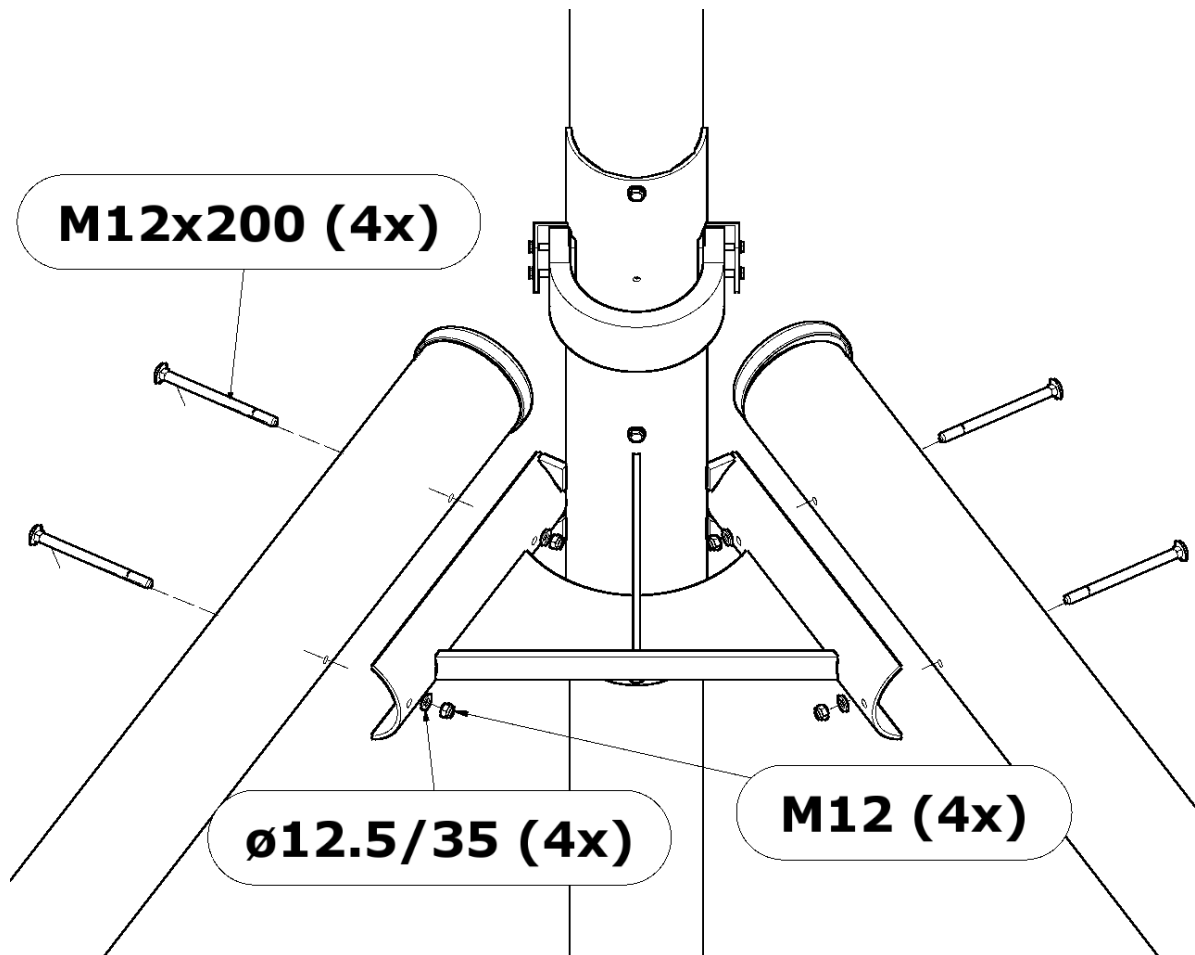
# 1.4

$M_A = 50 \text{ Nm}$



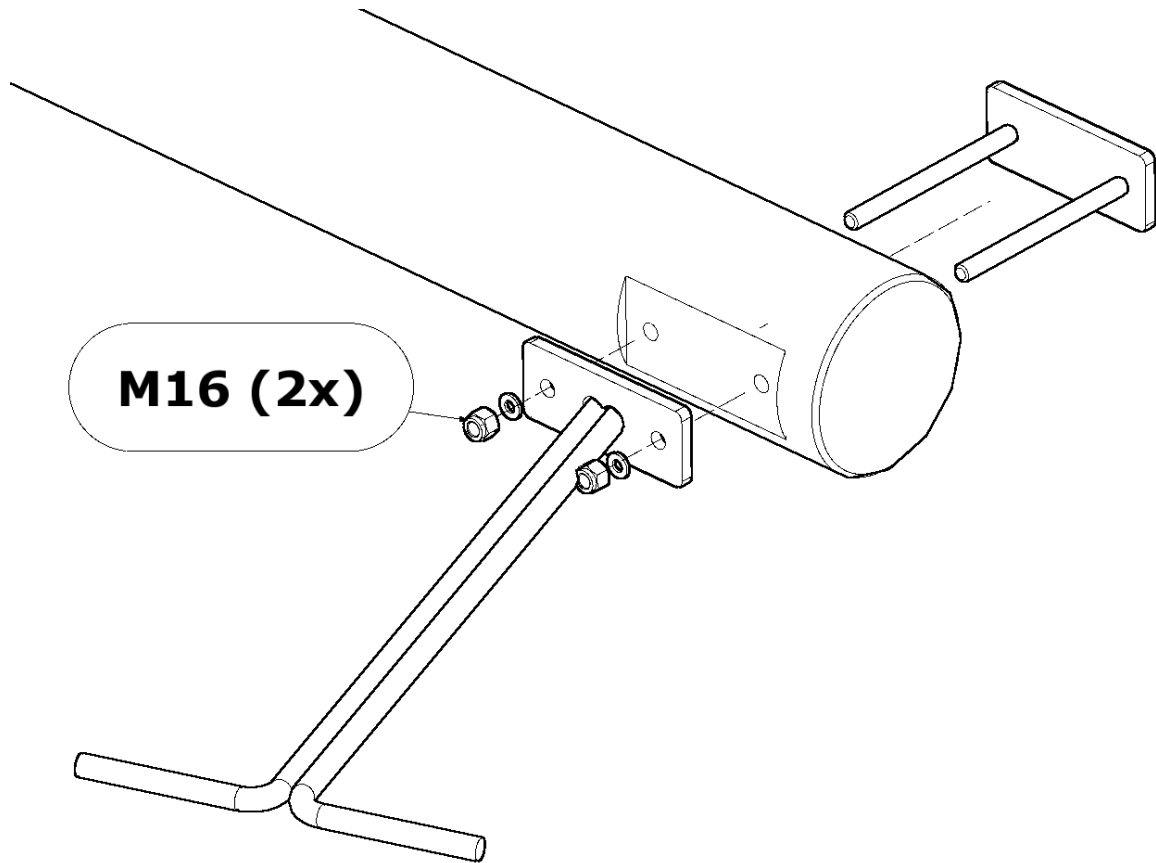
# 1.5

$M_A = 50 \text{ Nm}$



# 1.6

$M_A = 50 \text{ Nm}$



# 1.7

$M_A = 20 \text{ Nm}$

