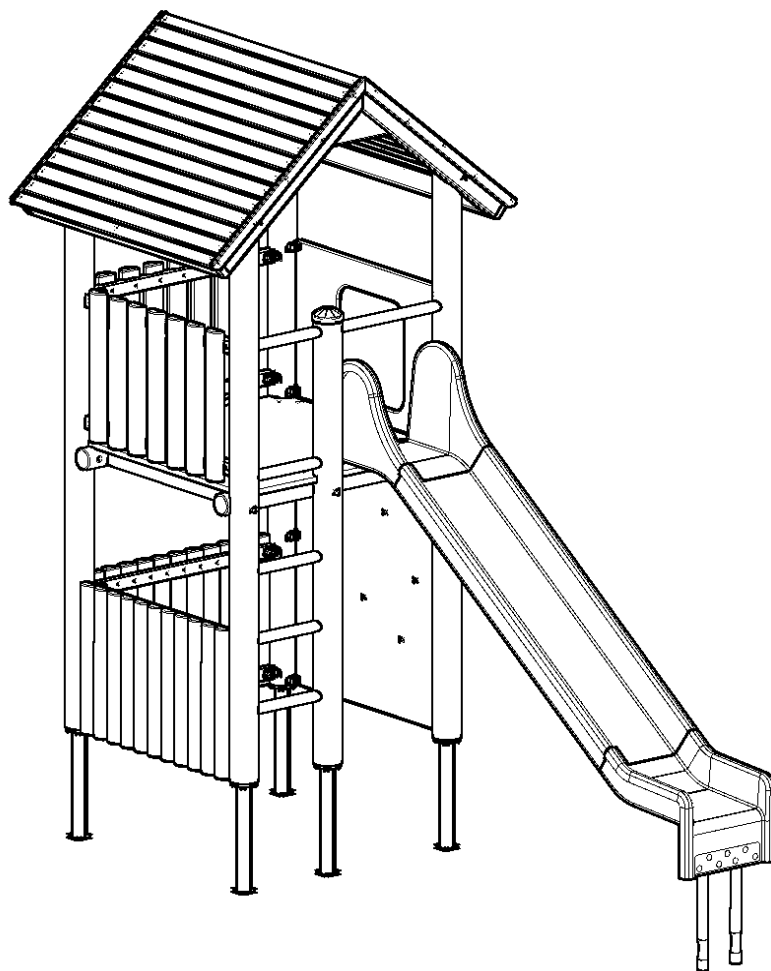


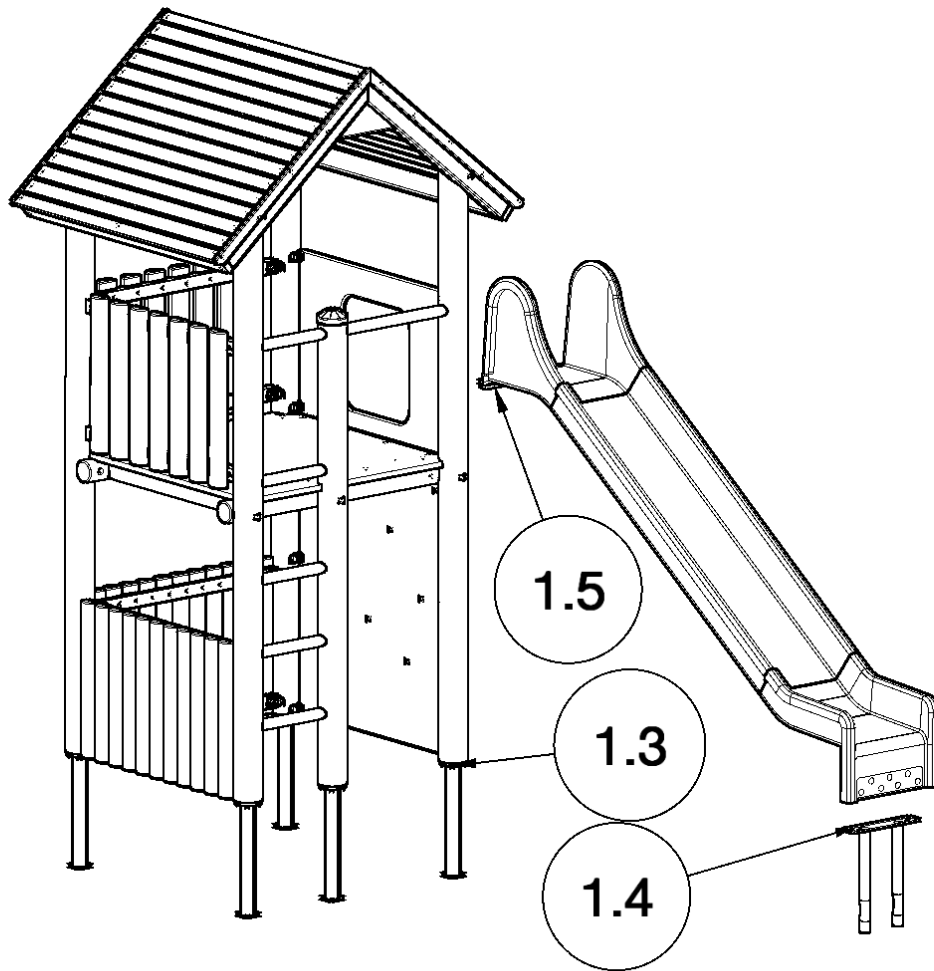
## 28105-MA

---

### 1.1

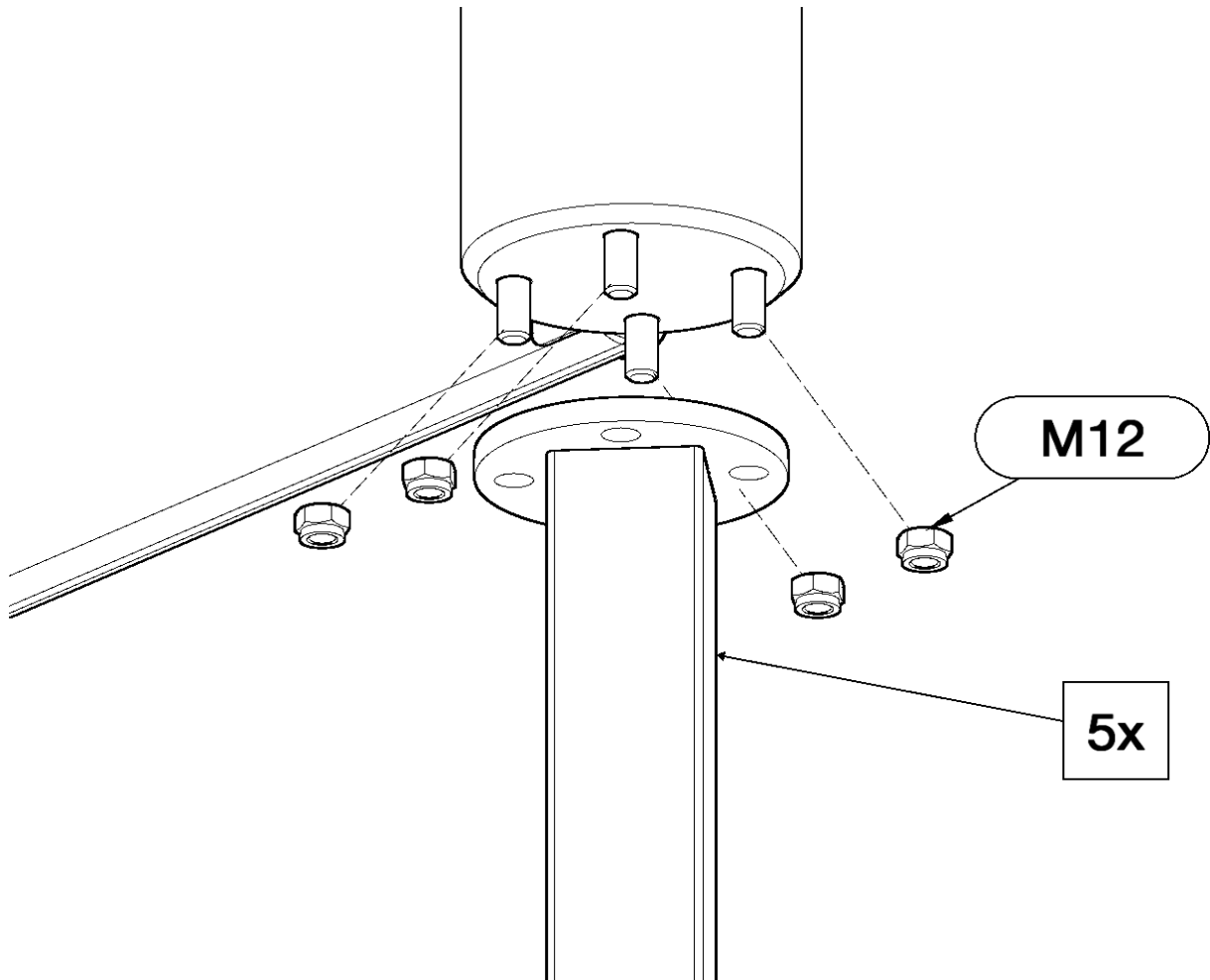


# 1.2



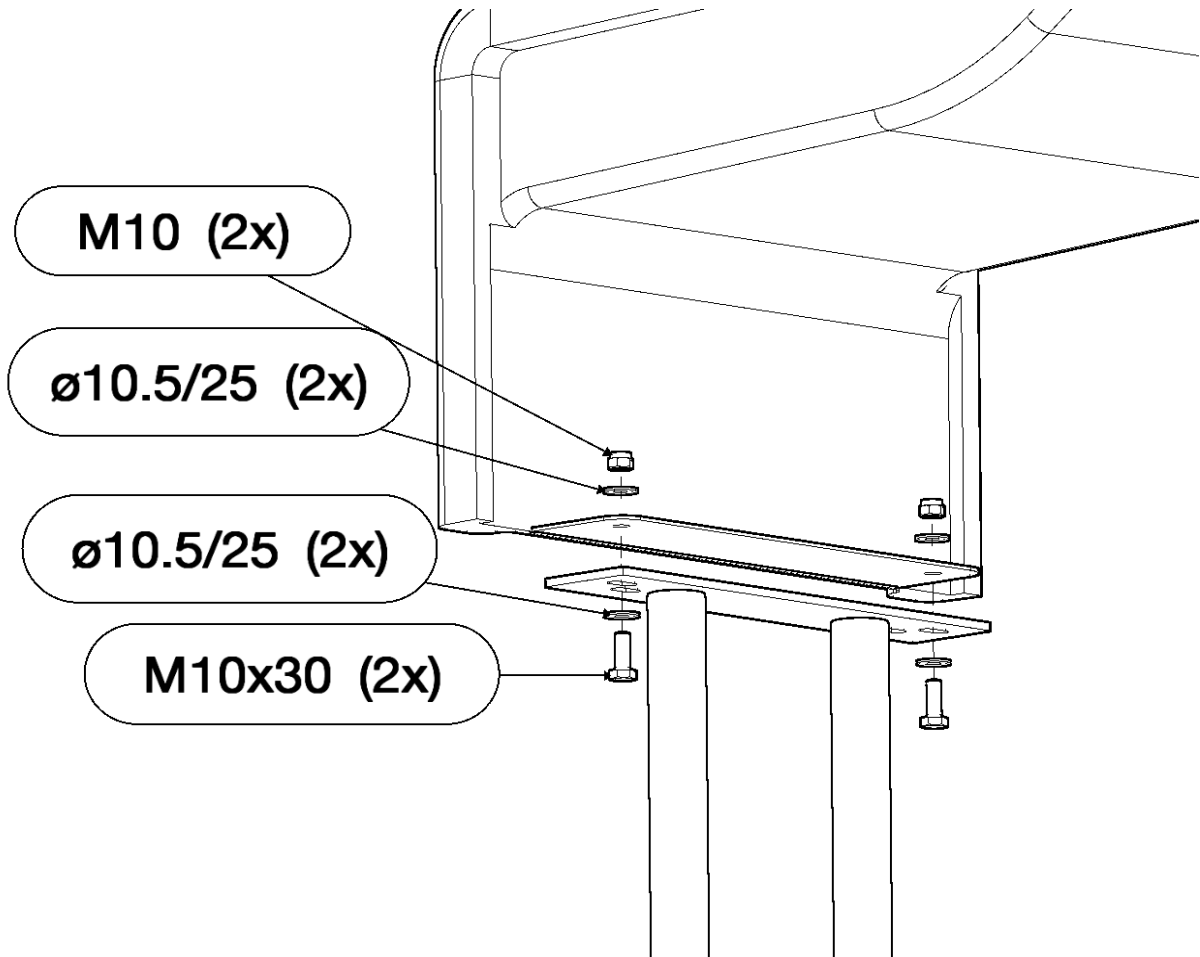
# 1.3

$M_A = 50 \text{ Nm}$



# 1.4

$M_A = 20 \text{ Nm}$



# 1.5

$M_A = 20 \text{ Nm}$

